

# DHAN-M DECT ULE Module Datasheet

PN: 505-001251-01 Rev A

## 1. Description

---

The Synaptics DHAN-M module is based on the state-of-the-art DCX81, a second generation DECT SOC. The DHAN-M module is suited for DECT-ULE applications that employ a processor external to the DHAN-M. The DHAN-M can serve as a DECT-ULE Hub (=Base Station) when loaded with a CMBS SW image. This image includes standard DECT-ULE MAC-PHY connectivity as well as CAT-IQ functionality for traditional DECT telephony and HAN-FUN (i.e. the ULE Alliance Standard) functionality for ULE (low-power packet mode). The DHAN-M interfaces with the Host Processor via UART or USB – different part numbers designate the chosen interface. Audio is transferred either via TDM (with control via UART) or via USB (Audio Class)

The DHAN-M can also be loaded with a SW image that empowers the module with a DECT “handset” profile (CMHS).

### 1.1. Features

- Excellent radio performance, with over 123dB system gain
- A printed antenna is included in the module. A second antenna port is provided and can be routed to an optional diversity antenna located elsewhere in the application housing.
- Radio covers all regional DECT bands. A simple re-configuration of the EEPROM is required.
- Radio is fully compliant with ETSI DECT and ULE standards and has FCC (Part 15 Unlicensed PCS Band), ISED (License Exempt PCS Device), ETSI (CE), and Japanese MIC regulatory certification
- Compact module footprint of 27.2x15.2x3.3mm (including the RF shield height)
- Operating temperature spanning -40°C to 85°C

## 1.2. Block Diagram

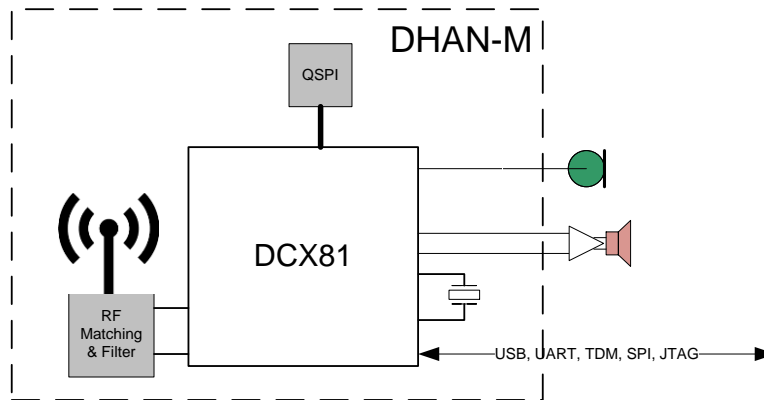


Figure 1. DHAN-M Module Block Diagram

# Contents

- 1. Description..... 1
  - 1.1. Features ..... 1
  - 1.2. Block Diagram ..... 2
- 2. Pin and Signal Description ..... 4
- 3. Electrical Specifications ..... 6
  - 3.1. Absolute Maximum Rating ..... 6
  - 3.2. Recommended Operating Conditions..... 6
  - 3.3. Peak and Hibernation Currents..... 6
  - 3.4. Transmitter ..... 7
  - 3.5. Receiver..... 7
- 4. Protocol Stacks..... 8
- 5. Reference Schematics ..... 9
  - 5.1. Interface to Host Processor via UART and 3.3V Logic ..... 9
    - 5.1.1. Host to DHAN-M Interface ..... 9
    - 5.1.2. Power Supply and Optional JTAG ..... 9
  - 5.2. Interface to Host Processor via UART and 1.8V Logic ..... 10
    - 5.2.1. Host to DHAN-M Interface ..... 10
    - 5.2.2. Power Supply ..... 10
  - 5.3. Interface to the Host Processor via USB and 3.3V Logic..... 11
    - 5.3.1. Host to DHAN-M Interface ..... 11
    - 5.3.2. Power Supply and Optional JTAG ..... 11
  - 5.4. JTAG Interface ..... 11
  - 5.5. RSTN Input ..... 12
  - 5.6. MIC and Ear Speaker Interfaces ..... 12
- 6. Application PCB Design Recommendations ..... 13
- 7. Assembly Information..... 14
  - 7.1. Mechanical Drawing ..... 14
  - 7.2. PCB Metal Land Pattern Recommendation..... 15
  - 7.3. PCB Solder Mask Recommendation..... 16
  - 7.4. PCB Stencil Pattern Recommendation ..... 17
  - 7.5. Pick & Place, Reflow ..... 17
- 8. Supplementary Information ..... 18
  - 8.1. Labeling..... 18
  - 8.2. Handling Guidance ..... 18
  - 8.3. RF Exposure Information and Statement ..... 18
  - 8.4. FCC and IC Interference Statement ..... 18
  - 8.5. Declaration of Conformance (DOC)..... 19
  - 8.6. Original Equipment Manufacturer (OEM) Notes..... 19
  - 8.7. IC Labeling Requirement for Final End Product ..... 20
  - 8.8. RFPI and EMC..... 20
  - 8.9. Ordering Information..... 20
- 9. Revision History ..... 21

## 2. Pin and Signal Description

See Figure 2 and Table 1 for detailed pin diagram and description.

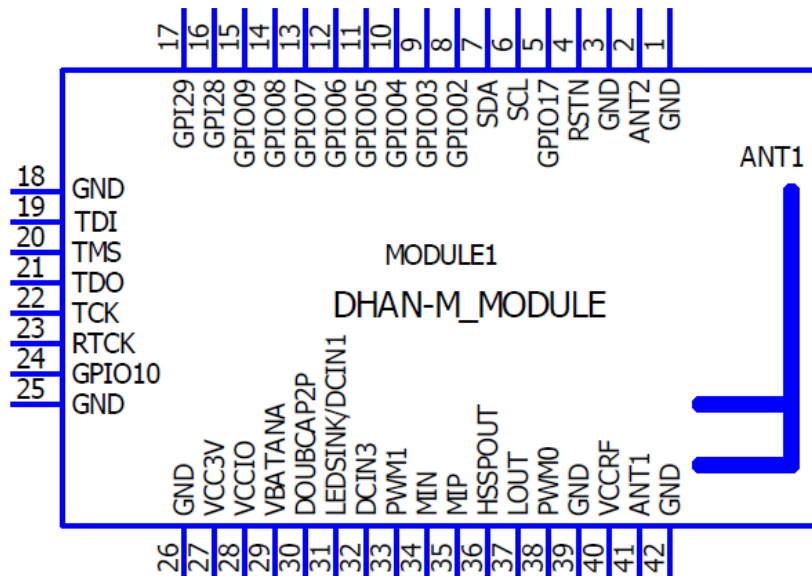


Figure 2. DHAN-M Module Pin Diagram

Table 1. DHAN-M Pin and Signal List

Pin No.	Name	Description/Type
1	GND	Place many vias in the vicinity of this pin.
2	ANT2	Optional port for connection to a diversity antenna located elsewhere in the housing. Otherwise terminate with a 51Ω resistor.
3	GND	Place many vias in the vicinity of this pin.
4	RSTN	Resets the DCX81 SOC. See reference schematic and comments.
5	GPIO17	Not Used
6	SCL (GPIO0)	GPIO or I2C Clock. Open Drain, reset value is floating.
7	SDA (GPIO1)	GPIO or I2C Data. Open Drain, reset value is floating.
8	GPIO2 (PCM_Tx)	TDM Tx Data
9	GPIO3 (PCM_Rx)	TDM_Rx Data
10	GPIO4 (PCM_FSYNC)	TDM Frame Sync
11	GPIO5 (PCM_CLK)	TDM SCLK
12	GPIO6 (SPI_MOSI)	SPI Data Input to DHAN-M
13	GPIO7 (SPI_MISO)	SPI Data Output from DHAN-M
14	GPIO8 (SPI_CLK)	SPI Clock
15	GPIO9 (RxD or SPI_CS)	UART Rx (most typically) or SPI Chip Select
16	GPIO28 (DM_USB)	USB Negative Pin

Pin No.	Name	Description/Type
17	GPIO29 (DP_USB)	USB Positive Pin
18	GND	
19	TDI	JTAG Data In. Should be connected to TP
20	TMS	JTAG Mode Select. Should be connected to TP
21	TDO	JTAG Data Out. Should be connected to TP
22	TCK	JTAG Clock. Should be connected to TP
23	RTCK	JTAG Return Clk. Should be connected to TP
24	GPIO10 (TxD)	GPIO or UART Tx
25	GND	
26	GND	
27	VCC3V	Power Supply Input
28	VCCIO	Powers the IO level shifters. 1.8 or 3.3V. See reference schematics
29	VBATANA	Power Supply Input for the analog portion of the SOC
30	DOUBCAP2P	
31	LEDSINK/DCIN1	
32	DCIN3	ADC. Check of Power. See reference schematic
33	PWM1	
34	MIN	Microphone negative input
35	MIP	Microphone positive input
36	HSSPOT	Handset/Headset positive speaker output
37	LOUT	Line Output or Handset/Headset negative speaker output
38	PWM0	
39	GND	Place many vias in the vicinity of this pin
40	VccRF	Power Supply Input to RF. Add 10 pF bypass capacitor adjacent to this pin!
41	ANT1	Test pin. Leave unconnected.
42	GND	Place many vias in the vicinity of this pin.

## 3. Electrical Specifications

All parameters are for 25°C.

### 3.1. Absolute Maximum Rating

- Minimum voltage applied to all pins: -0.3V
- Maximum voltage applied to all pins: +4.6V
- Storage temperature range: -45 to 90°C

**Note:** Functionality at or above these limits is not implied. Exposure to absolute maximum ratings for extended periods may affect device reliability.

### 3.2. Recommended Operating Conditions

Table 2. Recommended Operating Conditions

Rating	Conditions	Min	Typ	Max	Unit
Operating ambient temperature		-40	+25	+85	°C
VccRF,VCC		2	3.0	3.6	V
JTAG, UART	VIL VIH VOL VOH (VCC is at nominal 3V)	2.0		0.8 0.4	V
DCIN3		1.7	2	2.5	V

### 3.3. Peak and Hibernation Currents

Table 3. Peak Currents

Parameter	Test Conditions	Typ	Max	Unit
Tx Current	VccRF=3 V VCC=3 V Band=EU @ 23dBm	400	480	mA
Tx Current	VccRF=3 V VCC=3 V Band=US @ 21 dBm	250	300	mA
Rx Current	VccRF=3 V VCC=3 V	125	135	mA

### 3.4. Transmitter

Table 4. Tx Characteristics

Characteristics	Test Conditions	Min	Typ	Max	Unit
NTP	VccRF=3 V VCC=3 V Band=EU	21.5	23	24	dBm
NTP	VccRF=3 V VCC=3 V Band=US	19	20	21	dBm
Harmonics	VccRF=3 V VCC=3 V Band=EU & US		-40	-35	dBm
Transmission Mask	EN 301406 Paragraph 5.3.3		Comply		N/A
Frequency Offset	EN 301406 Paragraph 5.3.1	-50	8	+50	KHz
Frequency Drift	EN 301406 Paragraph 5.3.5	-15	0	+15	KHz/Slot
Emission Due Modulation	EN 301406 Paragraph 5.3.6.2 M±1 M±2 M±3 M>±3		-20 -42 -47 -50	-8 -30 -40 -44	dBm

### 3.5. Receiver

Table 5. Rx Characteristics

Characteristics	Test Conditions	Min	Typ	Max	Unit
Sensitivity, BER < 1000ppm	VccRF=3 V VCC=3 V		-96	-93	dBm
Maximum input power	VccRF=3 V VCC=3 V			15	dBm

## 4. Protocol Stacks

The module is configured for the role of a DECT-ULE Hub (=Base Station) with control via the 2-pin UART interface according to the CMBS API. This API supports both traditional telephony functionality (per the CAT-IQ standard) as well as ULE HAN-FUN functionality. Concurrent audio paths are supported at the TDM (IOM) interface running between the Host Processor and the DHAN-M. The “division of labor” and interface between the Host Application and the standard CMBS protocol stack is depicted in Figure 3.

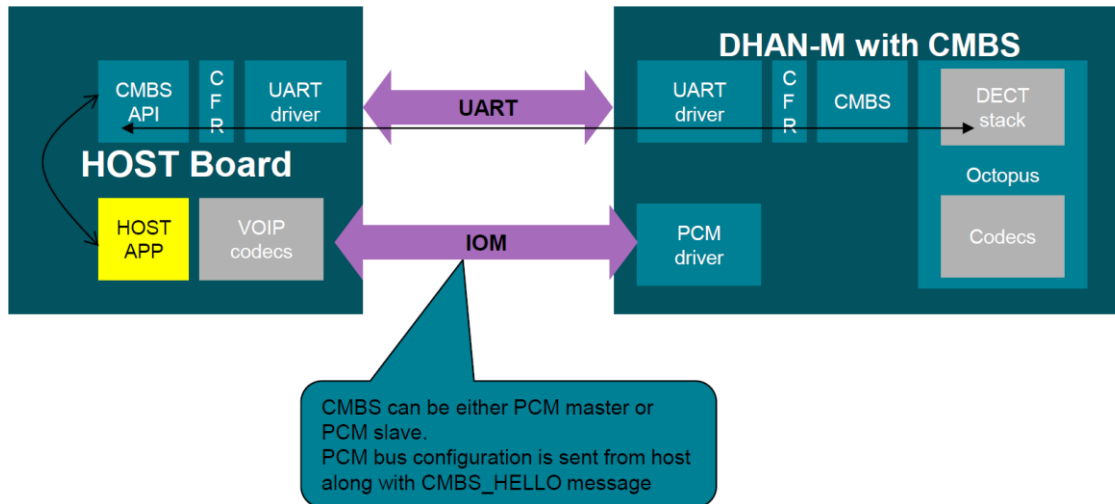


Figure 3. Host and Standard CMBS Protocol Stack

Alternatively, the customer can request to download an image which uses the USB interface for both control and audio, as depicted in Figure 4.

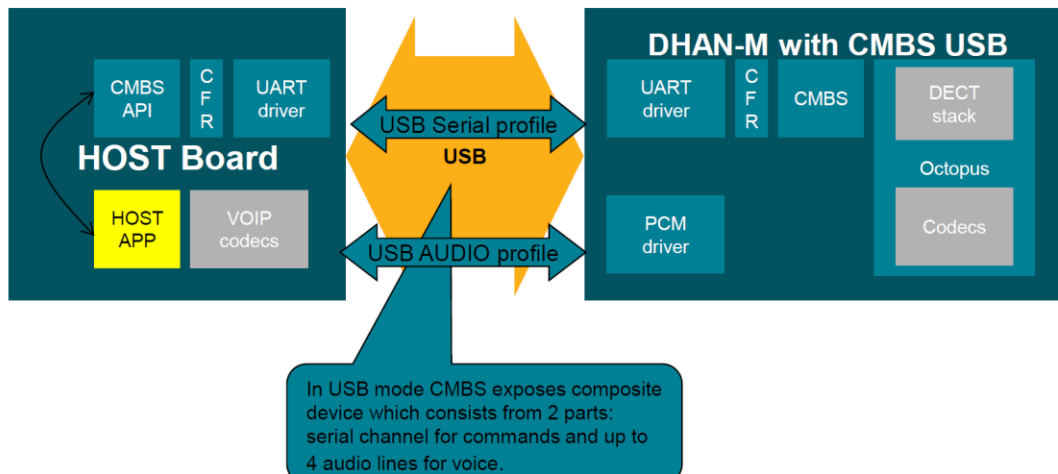


Figure 4. USB Interface for Control and Audio

Similarly, customers wanting to implement a high-end DECT-ULE device (=end point or PP), can request a CMHS image, with either UART or USB interface options. Reference schematics for both USB and UART options are supplied in the following section.



# 5. Reference Schematics

Important: The 3.3V regulator should be capable of regulating the output with the module drawing 450 mA for 500  $\mu$ s during the Tx burst!

## 5.1. Interface to Host Processor via UART and 3.3V Logic

### 5.1.1. Host to DHAN-M Interface

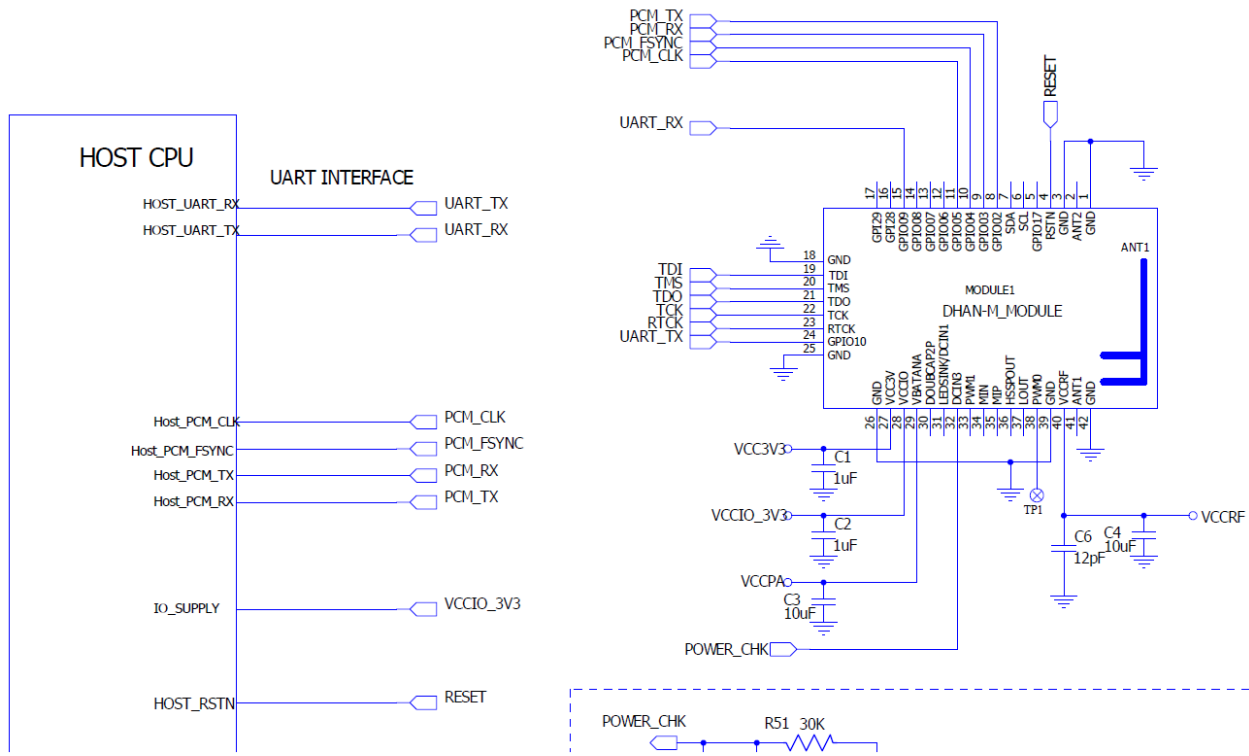


Figure 5. Host to DHAN-M Interface via UART and 3.3 V Logic

### 5.1.2. Power Supply and Optional JTAG

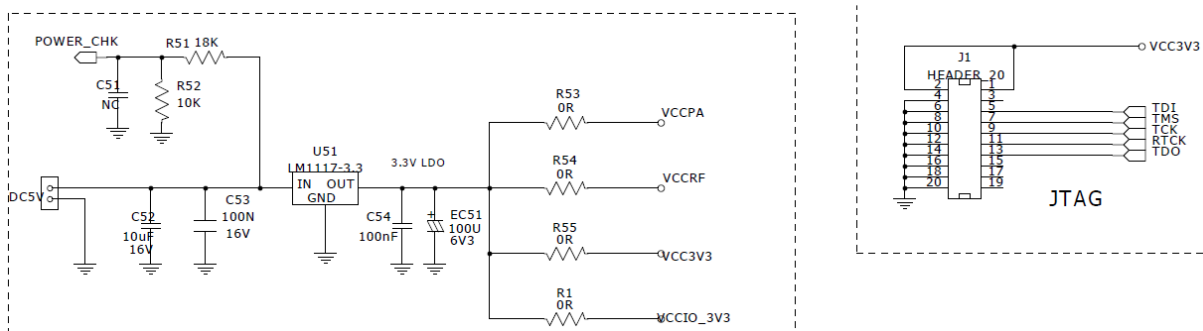


Figure 6. Power Supply and optional JTAG

**Note:** The PCM (=TDM = I<sup>2</sup>S) Interface is required only in applications where audio must be exchanged between the DHAN-M and the Host Processor.

## 5.2. Interface to Host Processor via UART and 1.8V Logic

### 5.2.1. Host to DHAN-M Interface

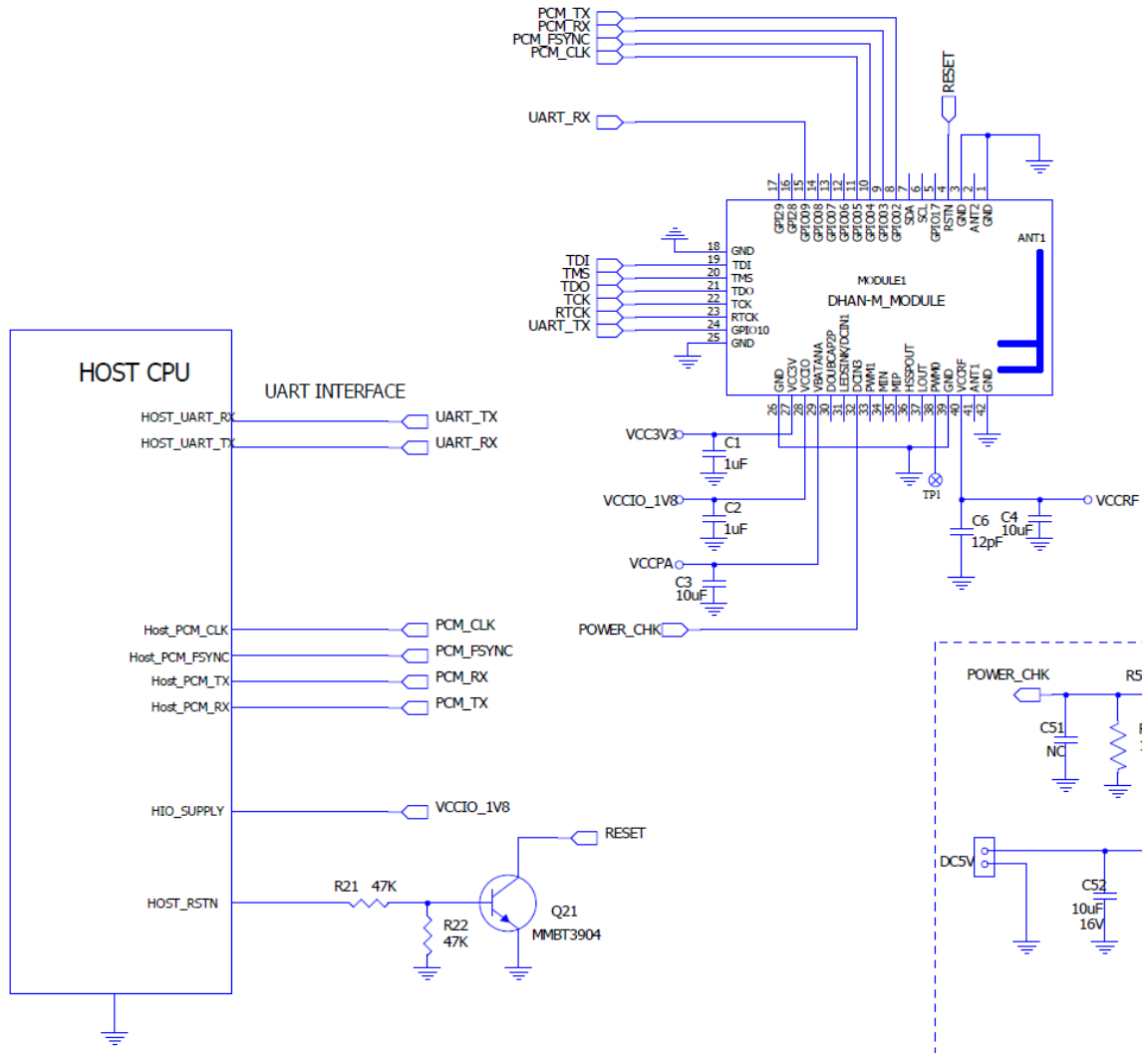


Figure 7. Host to DHAN-M Interface via UART and 1.8 V Logic

### 5.2.2. Power Supply

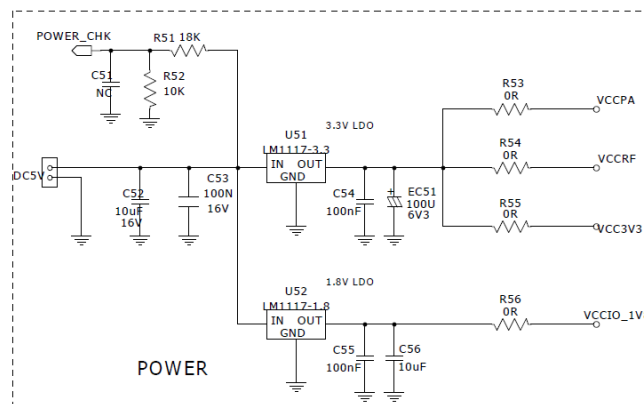


Figure 8. Power Supply (UART, 1.8 V Logic)

### 5.3. Interface to the Host Processor via USB and 3.3V Logic

#### 5.3.1. Host to DHAN-M Interface

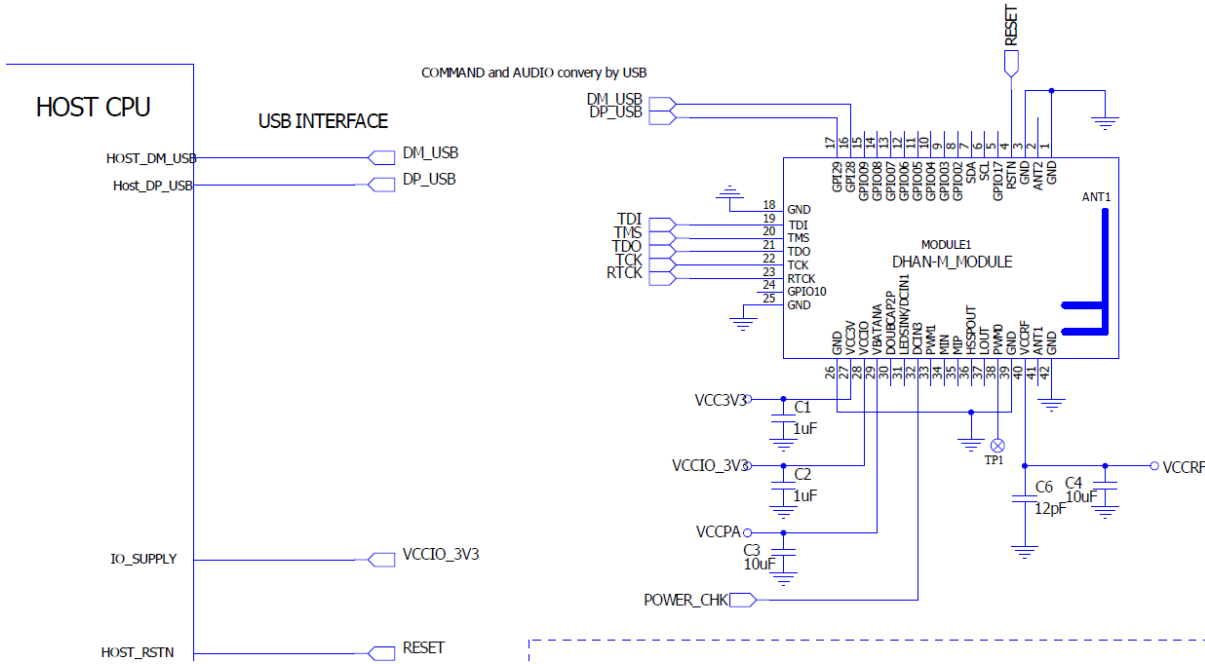


Figure 9. Host to DHAN-M Interface via USB and 1.8 V Logic

#### 5.3.2. Power Supply and Optional JTAG

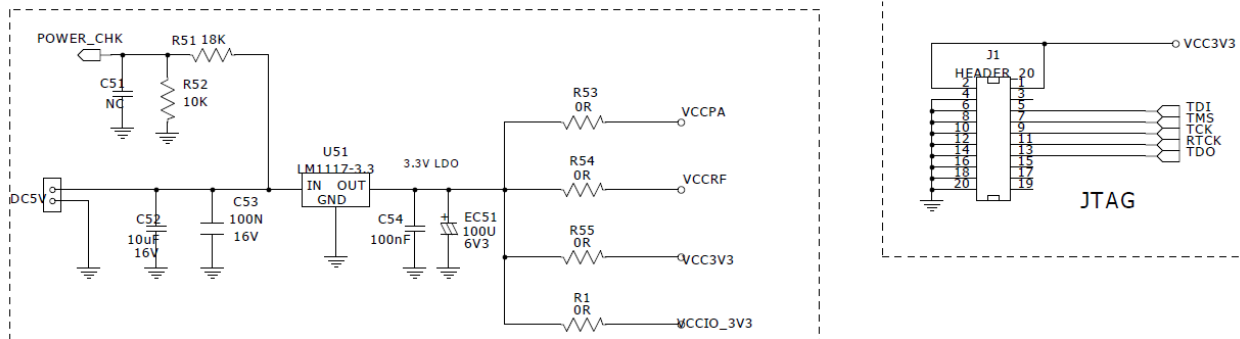


Figure 10. Power Supply and Optional JTAG (USB, 1.8V Logic)

### 5.4. JTAG Interface

Easy access to the JTAG interface is a MUST for customers requiring a SW image other than the CMBS UART stack which is standard on the DHAN-M. The standard 20-pin connector shown in the reference schematic is convenient if the application board can accommodate it. Alternatively, test pins should be added which can be accessed both during prototyping and production.

### 5.5. RSTN Input

At power-up, the Application Host should hold this pin at logic Low until it is ready to establish communication (via UART) with the DHAN-M. When ready, the MCU should apply Logic High and wait for the “Hello” indication from the DHAN-M. If at some point later on the MCU cannot communicate with the DHAN-M, it can apply a low going pulse of >100 μS to reset the DCX81 on the DHAN-M.

### 5.6. MIC and Ear Speaker Interfaces

Some CMHS applications will need to route to/from the DHAN-M MIC and Speaker interfaces – reference schematics for these connections are shown in Figure 11:

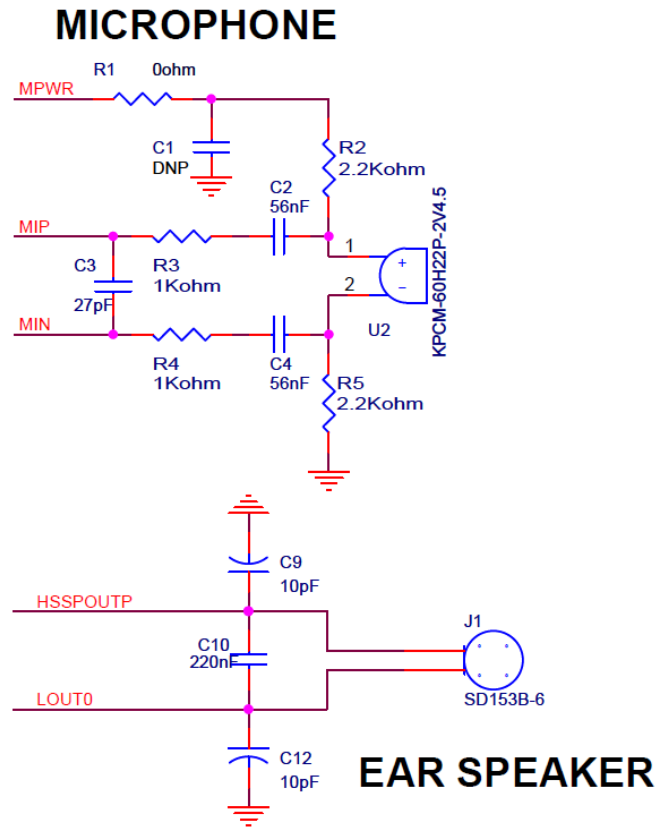


Figure 11. MIC and Ear Speaker Interfaces

## 6. Application PCB Design Recommendations

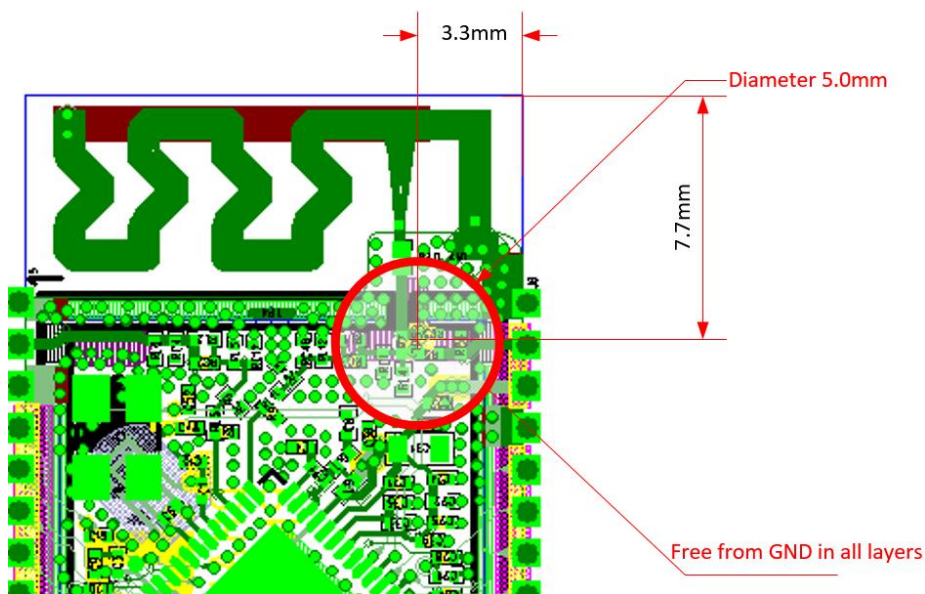
It is recommended that unused pads on the Application PCB not be left as isolated islands of copper but rather be anchored with vias to inner layers of the PCB. It is also recommended that GND vias be applied liberally in the vicinity of GND pins 1, 3 and 42.

The following layout recommendations apply to the Application PCB:

1. Implement a solid ground under the DHAN-M module, except in the vicinity of the antenna feed – see below
2. Do not route signal traces under the module. Use the bottom layer for signal routing.
3. Locate the on-board printed antenna on the edge of the PCB, as shown below.
4. Locate the antenna in the housing to minimize obstruction of the radiation pattern by metallic objects.



Figure 12. Application PCB Design Recommendations



# 7. Assembly Information

An electronic version of the information in this section can be downloaded from the Synaptics website, in the [HW Developer's Collateral](#) section.

## 7.1. Mechanical Drawing

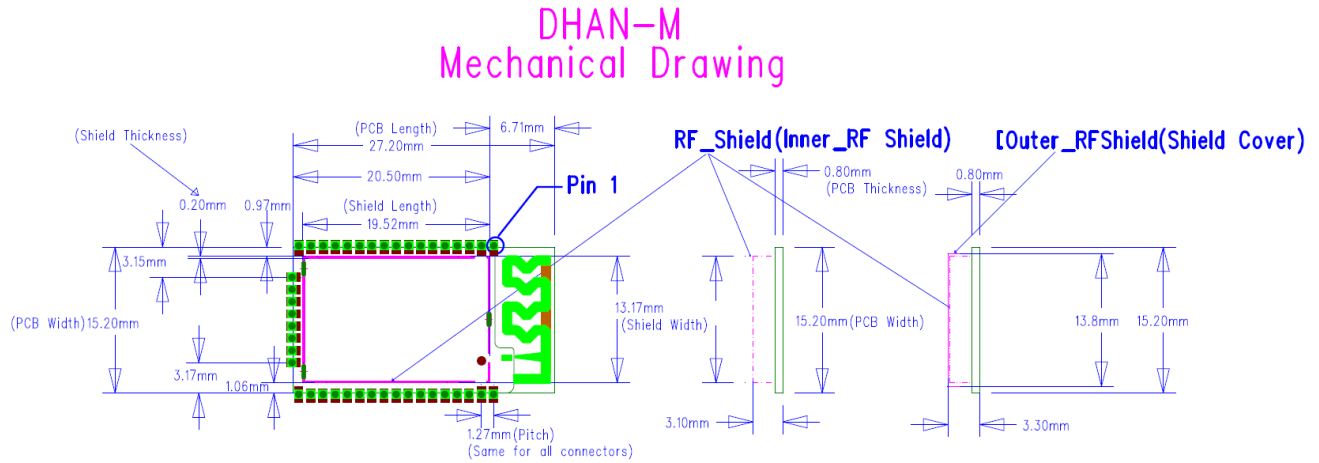
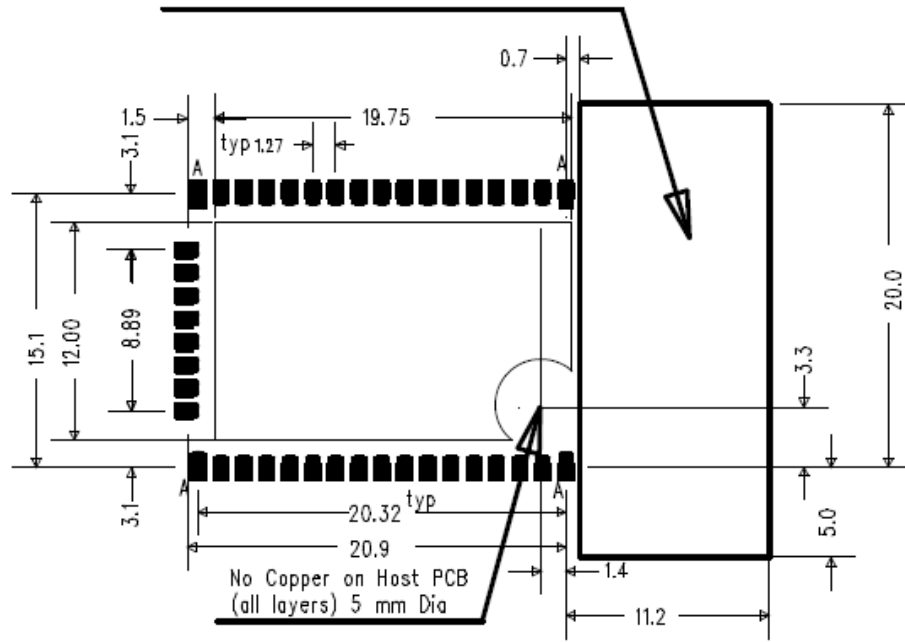


Figure 13. DHAN-M Module Mechanical Drawing

## 7.2. PCB Metal Land Pattern Recommendation

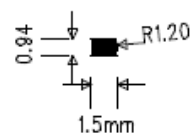
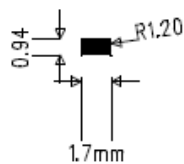
### PCB METAL LAND PATTERN

Antenna Must Extend Beyond Host PCB OR  
Cut Out Provided On Host PCB



A PADS

OTHER PADS



ALL DIMENSIONS in mm

Figure 14. DHAN-M Module Land Pattern

### 7.3. PCB Solder Mask Recommendation

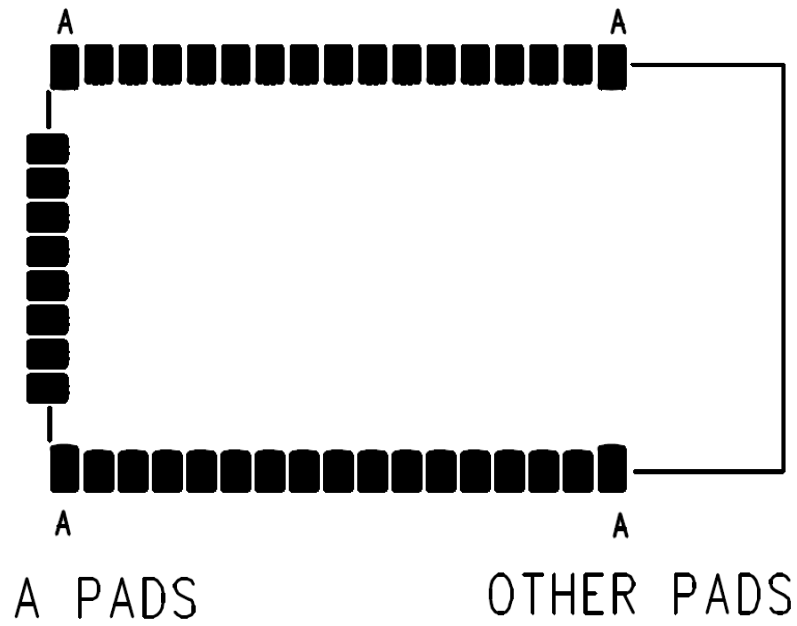


Figure 15. PCB Solder Mask Recommendation



### 7.4. PCB Stencil Pattern Recommendation

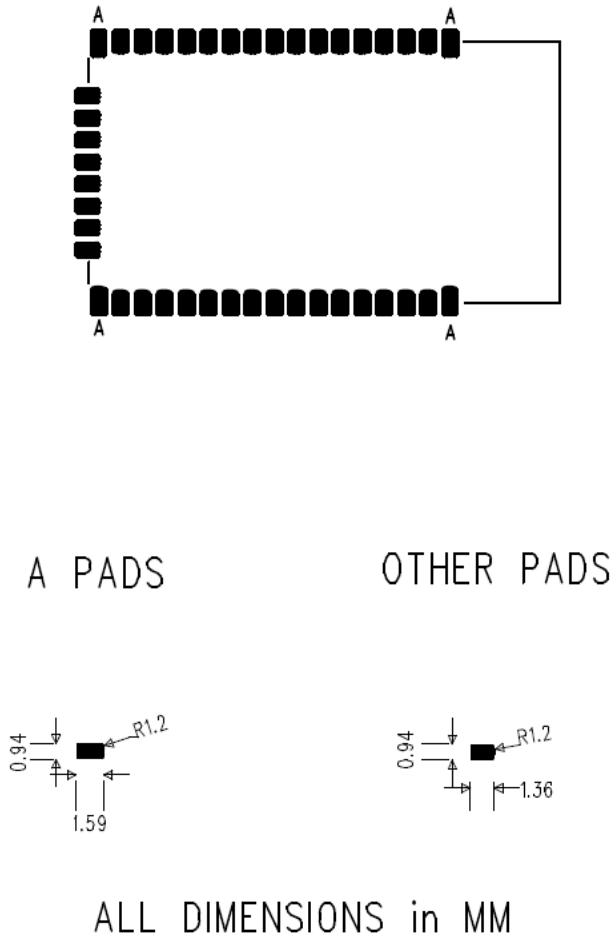


Figure 16. PCB Stencil Pattern Recommendation

### 7.5. Pick & Place, Reflow

The DHAN-M module uses a flat shield cover to facilitate a fully automatic assembly process. For backing and reflow recommendations, use MSL 3 in the JEDEC/IPC standard J-STD-20b. The temperature classification (TC) for the module is 245 °C.

## 8. Supplementary Information

### 8.1. Labeling

See Figure 17 for labeling details. The label is attached to the module shield.

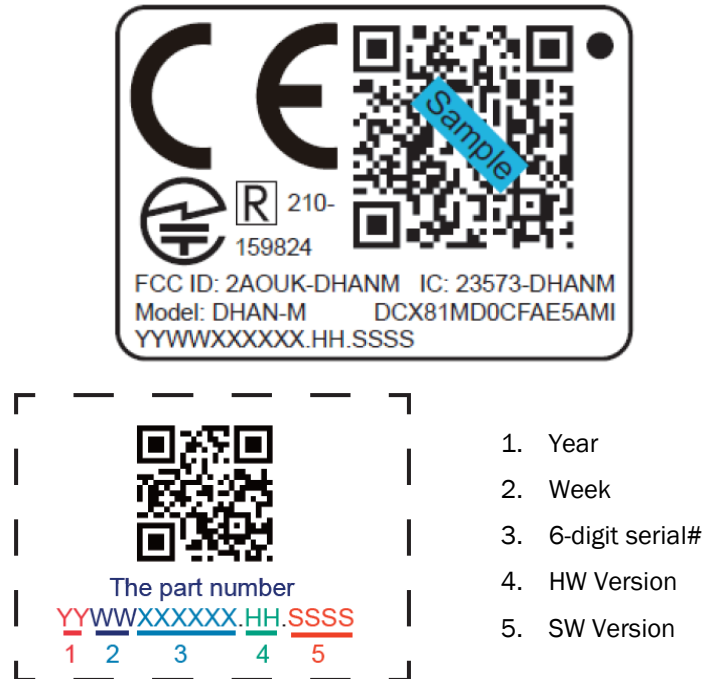


Figure 17. DHAN-M Module Labeling Details

### 8.2. Handling Guidance

This module includes highly sensitive electronic circuitry. Handling without proper ESD protection may damage the module permanently.

### 8.3. RF Exposure Information and Statement

This equipment complies with FCC and IC radiation exposure limits set forth for an uncontrolled environment. This equipment should be installed and operated with minimum distance of 20 cm between the radiator and your body. This transmitter must not be co-located or operating in conjunction with any other antenna or transmitter.

### 8.4. FCC and IC Interference Statement

This device complies with part 15 of the FCC rules and RSS-247 of Industry Canada. Operation is subject to the following two conditions: (1) this device may not cause harmful interference, and (2) this device must accept any interference received, including interference that may cause undesired operation.

Le présent appareil est conforme aux CNR d'Industrie Canada applicables aux appareils radio exempts de licence. L'exploitation est autorisée aux deux conditions suivantes : (1) l'appareil ne doit pas produire de brouillage, et (2) l'utilisateur de l'appareil doit accepter tout brouillage radioélectrique subi, même si le brouillage est susceptible d'en compromettre le fonctionnement.

This Class B digital apparatus complies with Canadian ICES-003.

Cet appareil numérique de la classe B est conforme à la norme NMB-003 du Canada.

**Note:** The manufacturer is not responsible for any radio or TV interference caused by unauthorized modifications to this equipment. Such modifications could void the user's authority to operate the equipment.

**Note:** This equipment has been tested and found to comply with the limits for a Class B digital device, pursuant to part 15 of the FCC Rules. These limits are designed to provide reasonable protection against harmful interference in a residential installation. This equipment generates uses and can radiate radio frequency energy and, if not installed and used in accordance with the instructions, may cause harmful interference to radio communications. However, there is no guarantee that interference will not occur in a particular installation. If this equipment does cause harmful interference to radio or television reception, which can be determined by turning the equipment off and on, the user is encouraged to try to correct the interference by one or more of the following measures:

- Reorient or relocate the receiving antenna.
- Increase the separation between the equipment and receiver.
- Connect the equipment into an outlet on a circuit different from that to which the receiver is connected.
- Consult the dealer or an experienced radio/TV technician for help
- This device and its antenna(s) must not be co-located or operating in conjunction with any other antenna or transmitter

## 8.5. Declaration of Conformance (DOC)

Synaptics declares that the radio equipment type DHAN-M is in compliance with Directive 2014/53/EU.

## 8.6. Original Equipment Manufacturer (OEM) Notes

The OEM must certify the final end product to comply with unintentional radiators (FCC Sections 15.107 and 15.109) before declaring compliance of the final product to Part 15 of the FCC rules and regulations. Integration into devices that are directly or indirectly connected to AC lines must add with Class II Permissive Change.

The OEM must comply with the FCC labeling requirements. If the module's label is not visible when installed, then an additional permanent label must be applied on the outside of the finished product which states: "Contains transmitter module FCC ID: Additionally, the following statement should be included on the label and in the final product's user manual: "This device complies with Part 15 of the FCC Rules. Operation is subject to the following two conditions: (1) This device may not cause harmful interferences, and (2) this device must accept any interference received including interference that may cause undesired operation."

The module is limited to installation in mobile or fixed applications. Separate approval is required for all other operating configurations, including portable configuration with respect to Part 2.1093 and different antenna configurations.

Module or modules can only be used without additional authorizations if they have been tested and granted under same intended end-use operational conditions, including simultaneous transmission operations.

When they have not been tested and granted in this manner, additional testing and/or FCC application filing may be required. The most straightforward approach to address additional testing conditions is to have the grantee responsible for the certification of at least one of the modules must submit a permissive change application. When having a module grantee file a permissive change is not practical or feasible, the following guidance provides some additional options for host manufacturers. Integrations using modules where additional testing and/or FCC application filing(s) may be required are: (A) a module used in devices requiring additional RF exposure compliance information (e.g., MPE evaluation or SAR testing); (B) limited and/or split modules not meeting all of the module requirements; and (C) simultaneous transmissions for independent collocated transmitters not previously granted together.

This Module has full modular approval, limited to OEM installation ONLY. Integration into devices that are directly or indirectly connected to AC lines must add Class II Permissive Change. The OEM Integrator must assure compliance of the entire end product including the integrated Module. Additional measurements (15B) and/or equipment authorizations (e.g Verification) may need to be addressed depending on co-location or simultaneous transmission issues if applicable. (OEM) Integrator is reminded to assure that these installation instructions will not be made available to the end user of the final host device.

## 8.7. IC Labeling Requirement for Final End Product

The final end product must be labeled in a visible area with the following “Contains IC:23573-DHANM”

The Host Marketing Name (HMN) must be indicated at any location on the exterior of the host product or product packaging or product literature, which shall be available with the host product or online.

## 8.8. RFPI and EMC

Each DHAN-M Module is shipped to the customer with a unique RFPI – its DECT identity.

DHAN-M will ship with an “EMC” of 0xFEB. This is the Synaptics “generic” EMC. The EMC setting identifies a Device as belonging to a specific group of ULE Devices/Hubs that utilize some proprietary signaling.

In either case, the customer is free to re-program these parameters.

## 8.9. Ordering Information

Part #	Firmware Description	Application
DCX81MDOCFAF5AMI	CMBS FW with UART Control	DECT-ULE Hub
DCX81MDBCFAE5AMI	CMBS FW with USB Control	DECT-ULE Hub
DCX81MDHCFAE5AMI	CMHS (AT Commands)	DECT-ULE Audio Device
DCX81MDODFAE5BMI	CMBS FW with UART, FW D	DECT-ULE Hub

## 9. Revision History

Revision	Description
A	Initial Synaptics release

## Copyright

Copyright © 2017 – 2022 Synaptics Incorporated. All Rights Reserved.

## Trademarks

Synaptics and the Synaptics logo, are trademarks or registered trademarks of Synaptics Incorporated in the United States and/or other countries.

All other trademarks are the properties of their respective owners.

## Notice

This document contains information that is proprietary to Synaptics Incorporated (“Synaptics”). The holder of this document shall treat all information contained herein as confidential, shall use the information only for its intended purpose, and shall not duplicate, disclose, or disseminate any of this information in any manner unless Synaptics has otherwise provided express, written permission.

Use of the materials may require a license of intellectual property from a third party or from Synaptics. This document conveys no express or implied licenses to any intellectual property rights belonging to Synaptics or any other party. Synaptics may, from time to time and at its sole option, update the information contained in this document without notice.

INFORMATION CONTAINED IN THIS DOCUMENT IS PROVIDED "AS-IS," AND SYNAPTICS HEREBY DISCLAIMS ALL EXPRESS OR IMPLIED WARRANTIES, INCLUDING BUT NOT LIMITED TO ANY IMPLIED WARRANTIES OF MERCHANTABILITY AND FITNESS FOR A PARTICULAR PURPOSE, AND ANY WARRANTIES OF NON-INFRINGEMENT OF ANY INTELLECTUAL PROPERTY RIGHTS. IN NO EVENT SHALL SYNAPTICS BE LIABLE FOR ANY DIRECT, INDIRECT, INCIDENTAL, SPECIAL, PUNITIVE, OR CONSEQUENTIAL DAMAGES ARISING OUT OF OR IN CONNECTION WITH THE USE OF THE INFORMATION CONTAINED IN THIS DOCUMENT, HOWEVER CAUSED AND BASED ON ANY THEORY OF LIABILITY, WHETHER IN AN ACTION OF CONTRACT, NEGLIGENCE OR OTHER TORTIOUS ACTION, AND EVEN IF SYNAPTICS WAS ADVISED OF THE POSSIBILITY OF SUCH DAMAGE. IF A TRIBUNAL OF COMPETENT JURISDICTION DOES NOT PERMIT THE DISCLAIMER OF DIRECT DAMAGES OR ANY OTHER DAMAGES, SYNAPTICS' TOTAL CUMULATIVE LIABILITY TO ANY PARTY SHALL NOT EXCEED ONE HUNDRED U.S. DOLLARS.

## Contact Us

Visit our website at [www.synaptics.com](http://www.synaptics.com) to locate the Synaptics office nearest you.

